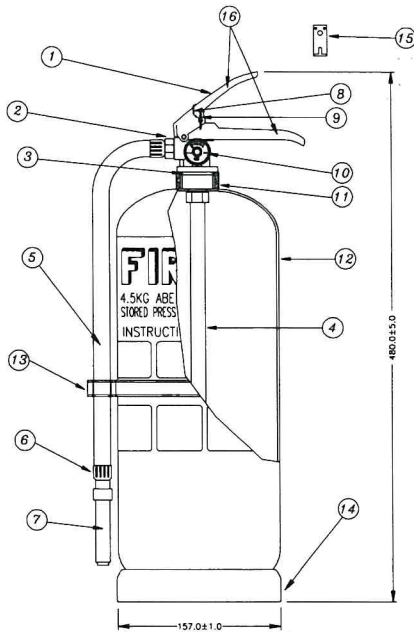


MR FIREMAN POWDER EXTINGUISHERS 4.5KG



AUSTRALIAN
STANDARD
AS1841.5 LIC2048



MF45ABE

TECHNICAL SPECIFICATION

| | |
|---------------------------|-------------------------------|
| CAPACITY | 4.5KG +2%, -0% |
| OVERALL WEIGHT | 7.6KG +2%, -0% |
| CYLINDER DIAMETRE (ØD) | Ø157.0mm |
| OVERALL HEIGHT <H>±5.0 | 480.0 |
| MATERIAL THICKNESS (CYL) | 1.5mm |
| VOLUME | 6.5L |
| MIN. TENSILE STRENGTH | 280N/mm ² (280mpa) |
| TEST PRESSURE | 25bar (362.5psi) Min 30S |
| WORKING PRESSURE | 14bar (203psi) |
| MIN BURST PRESSURE | 65bar (942.5psi) |
| DISCHARGE TIME | MIN 17 SEC |
| FIRE RATING | 3A, 60B:E |
| TEMPERATURE RANGE | -20° TO 60°C |
| POWDER TYPE / MAP CONTENT | SRI HP ABE |
| FINISHING | RED |

* Not shown in drawing

| ITEM NO. | PART NO. | DESCRIPTION | MAT. | QTY |
|----------|------------------|--------------------------------|--------------------------|-----|
| 1 | FEC053-GM-M30-SS | VALVE M30 X 1.5 - SS HANDLE | CHROME FORGE BRASS CZ122 | 1 |
| 2 | FEC054-PS-BK | ADAPTOR | NYLON | 1 |
| 3 | ORS214-RB-BK | ORING 214 | NITRILE 70 | 1 |
| 4 | FEC052-045-AS | 4.5KG DIP TUBE LENGTH 363.0mm | PVC | 1 |
| 5 | FEC007-PS-060-BK | 4.5KG DISCH. HOSE LGTH 334.0mm | NRG 8045/YARN 3000D | 1 |
| 6 | FEC027-LA | CLIP | ALUMINIUM | 1 |
| 7 | FEC028-PS-045-FM | 4.5 KG DISCH. NOZZLE ORF Ø3.8 | NYLON 6 - GREY | 1 |
| 8 | FEC117-PS | CABLE TIE 5" X 1/16" (8.2KG) | NYLON | 1 |
| 9 | FEC116-SS | SAFETY PIN | STAINLESS STEEL | 1 |
| 10 | FEC166-014 | PRESSURE GUAGE 14 BAR | - | 1 |
| 11 | FEC093-MS-M30 | NECK RING M30 | MILD STEEL | 1 |
| 12 | FEC005-MS-040-RD | 4.5KG CYLINDER | COLD ROLLED STEEL 1.5mm | 1 |
| 13 | FEC017-PS-045-RD | 4.5KG CYLINDER BELT | PP | 1 |
| 14 | FEC096-MS | BASE RING | MILD STEEL | 1 |
| 15 | FEX002-MS-T12-ZP | 4.5KG WALL BRACKET | GALV. MILD STEEL | 1 |
| 16 | FEC252-MS-M30-EN | M30 HANDLE SET | STAINLESS STEEL | 1 |
| * | FEC257-BR-M30-EN | M30 VALVE STEM | BRASS | 1 |
| * | FEX144-80-ABC-BL | POWDER ABC 80 SRI HP ABE | - | 1 |
| * | FEC079-PS-045-GN | 4.5KG STICKER ABE CLASS | PLASTIC | 1 |

The products specified in this brochure is subject to continual development and improvement. Information in this brochure is subject to alteration without notice. All dimensions in mm unless otherwise specified.



BULBECK FIRE INDUSTRIES

14 Fern Street, Islington NSW 2296 • Tel: (02) 4927 6632 • Fax: (02) 4927 6641